

PN: SRL711212



• Fall Protection • Competent Training • Netting • PPE

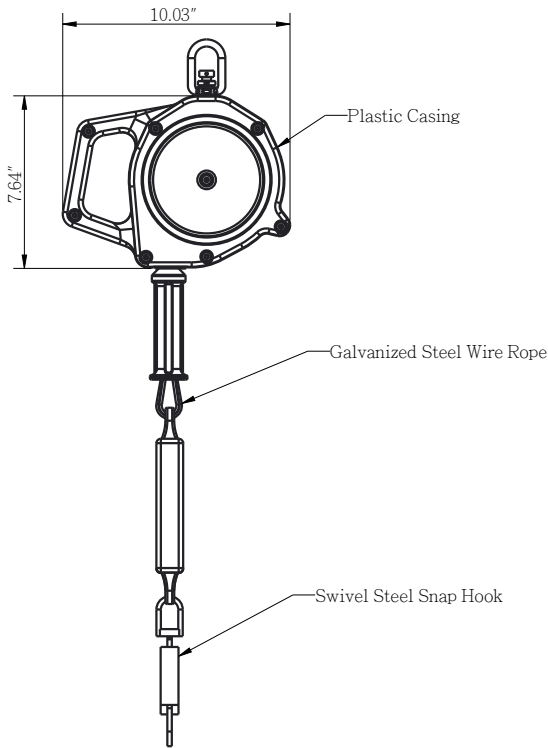
Phone: (504) 733-1808  
Fax: (504) 733-2996  
PalmerSafetyUS.com

## TECHNICAL SPECIFICATIONS

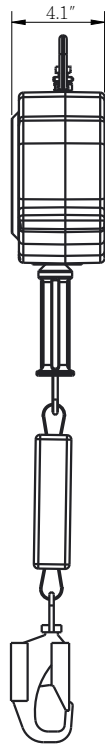
### SRL LE 30' Galvanized Cable with Small Hook

30 ft. Leading Edge Retractable with galvanized cable, 3/4" load indicator hook, 1/2" carabiner. Black Housing. Min breaking strength 3000 lbs. Meets or Exceeds ANSI Z359.14-2014, ANSI Z359.14-2014 SRL-LE.

FRONT VIEW



SIDE VIEW



- PHYSICAL PARAMETERS:**
- Composite housing.
  - Integrated Carry Handle.
  - Has swivel anchorage eye at anchorage end. Swivel steel snap hook at attachment end (gate strength 3600 lbs.).
  - Galvanized steel wire rope.

**USER CAPACITY:** 130 - 310 lbs.

**LENGTH:** 30 ft.

**CABLE:** Material: Galvanized steel wire rope diameter 7/32"

**WEBBING:** Material: Polyester

**MINIMUM BREAKING STRENGTH:** 3000 lbs.

**NORM:** Meets or exceeds ANSI Z359.14-2014, ANSI Z359.14-2014 SRL-LE.

**WEIGHT:** 14.55 lbs. ± 0.02 lbs.