

PN: SRL1511412



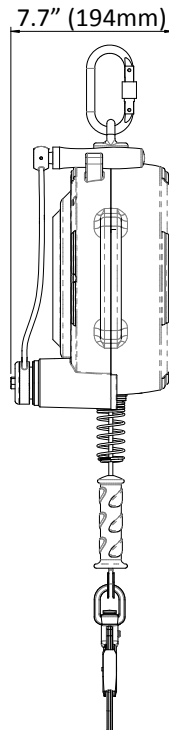
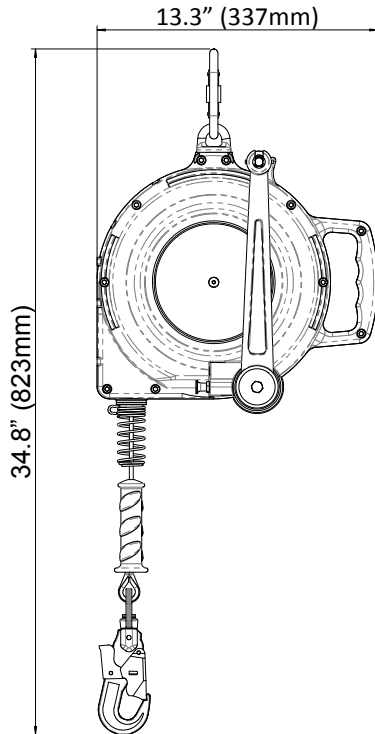
• Fall Protection • Competent Training • Netting • PPE

Phone: (504) 733-1808  
Fax: (504) 733-2996  
PalmerSafetyUS.com

## TECHNICAL SPECIFICATIONS

### BEAST™ Series 115' SRL-R with Small Hook

BEAST™ Series 115' SRL-R with galvanized cable, steel casing, swivel top, 3/4" load indicator hook, 1/2" carabiner and tagline included. Min breaking strength 3000 lbs. Meets ANSI Z359.14-2021 Class 1.



#### PHYSICAL PARAMETERS:

- Robust & durable steel casing coupled with hoisting winch to enable easy retrieval of victim
- The locking pin on the side of the casing at the base of the handle allows this dual system to work in independent fall arrest & winch modes
- Has swivel eye at anchorage end
- Swivel steel snap hook with load indicator at attachment end
- Galvanized steel wire rope

**LENGTH:** 115'

**CABLE:** Material: Galvanized steel wire rope diameter of 3/16"  
Minimum Breaking Strength: 3300 lbs.

**CONFORMS TO:** Meets or Exceeds ANSI Z359.14-2021 Class 1

**WEIGHT:** 42.8 lbs.

**Class**  
**1**  
Anchor at or above dorsal D-ring