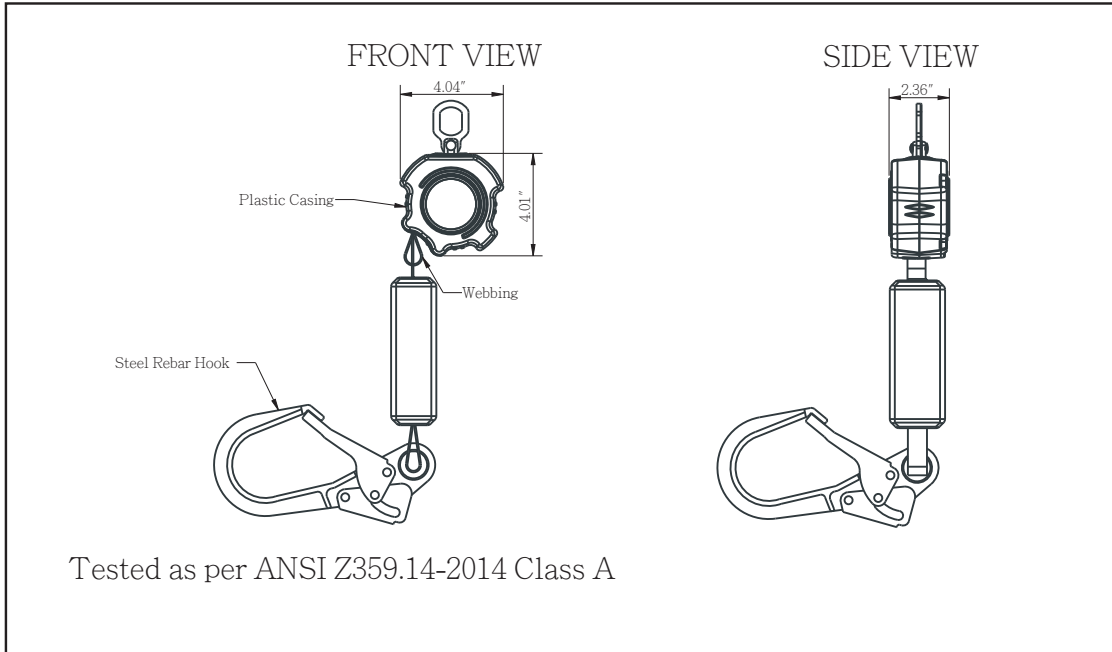


TECHNICAL SPECIFICATIONS

SRL 6' Lightweight Web with Rebar Hook

6' retractable web, lightweight plastic housing, external shock-absorber, 2-1/4" rebar hook, 1/2" carabiner included. Min breaking strength 3000 lbs. Rated up to 420 lbs. Meets ANSI Z359.14-2014 Class A.



- PHYSICAL PARAMETERS:**
- Lightest available SRL in its range/class
 - Robust & durable plastic casting
 - Technora Webbing with Energy absorber
 - Steel rebar hook at attachment end

APPLICATIONS: An overhead anchor point should always be used when available. When an overhead anchor point is unavailable, the recommended anchor point should be no greater than 2' below the dorsal D-ring. When the available anchor point is greater than 2' below the dorsal D-ring, a Palmer Safety Leading Edge SRL should be used.

LENGTH: 6 ft. (Maximum)

WEBBING: Material: Technora webbing 13/16"
 Minimum Breaking Strength: 4500 lbs.

VITAL TEST COMPLIANCE: Static Strength: 3000 lbs. for 1 minute.
 Dynamic Strength: 300 lbs. mass subjected to a 4' free fall. SRL lock and remain lock until released.
 Dynamic Performance: 282 lbs. mass subjected to a zero free fall with extension of 36" webbing. Breaking force less than 1800 lbs. and arrest distance less than 24".

WEIGHT: 3.37 lbs. ± 0.02 lbs.