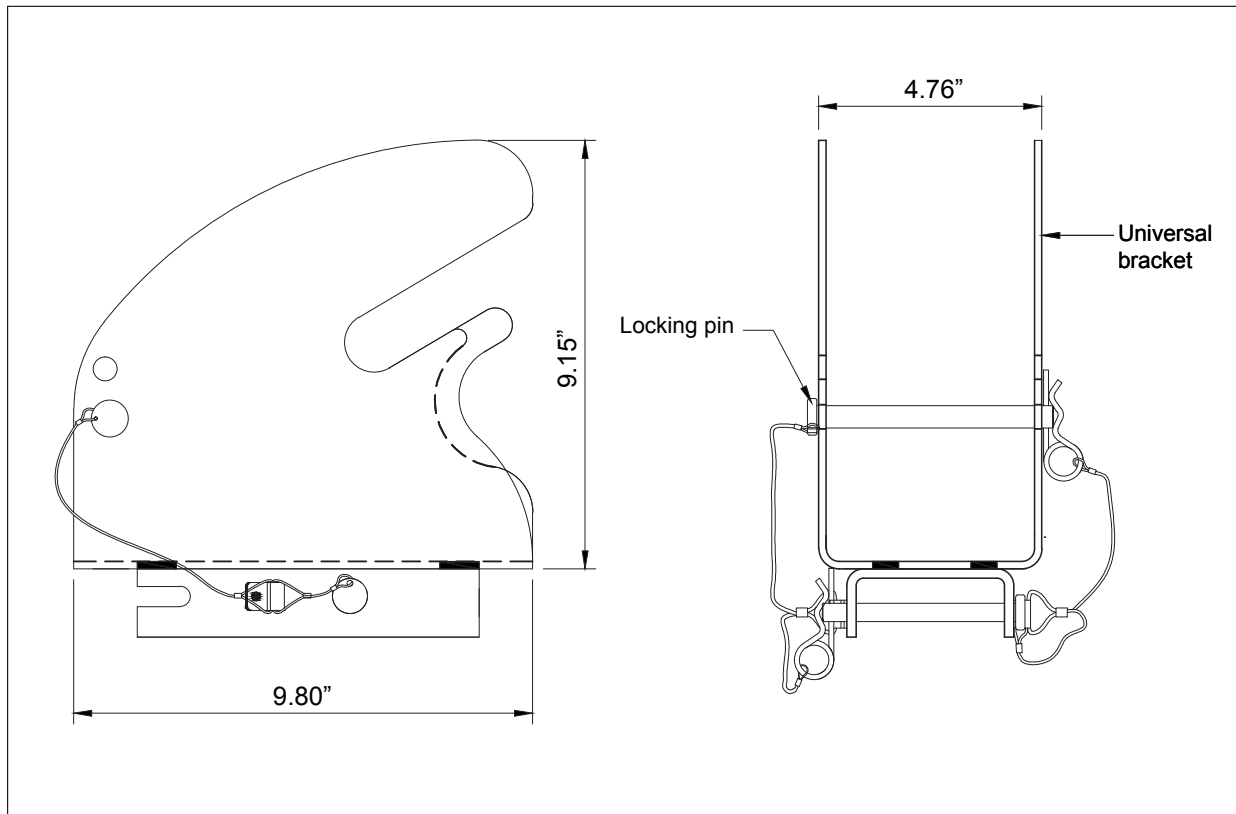


TECHNICAL SPECIFICATIONS

UNIVERSAL MOUNTING BRACKET FOR RETRIEVAL BLOCK TO BE MOUNTED ON MEGAPOD

Confined Space Tripod bracket for SRL1211412.



- DESIGN:**
- Universal mounting bracket is designed to be mounted on the leg of Megapod (SA 17) with another compatible bracket [SA-17(26)SUB1 for easy installation of Retrieval Blocks (PCGS 10R, PCGS 20R & PCGS 30R).
 - Detent pin arrangement for easy installation on Megapod leg.

BODY: Material: Alloy Steel.

FINISH: ED Coated Black.

WEIGHT: 10.51 lbs. ± 0.04 lbs.