

PN: C0860



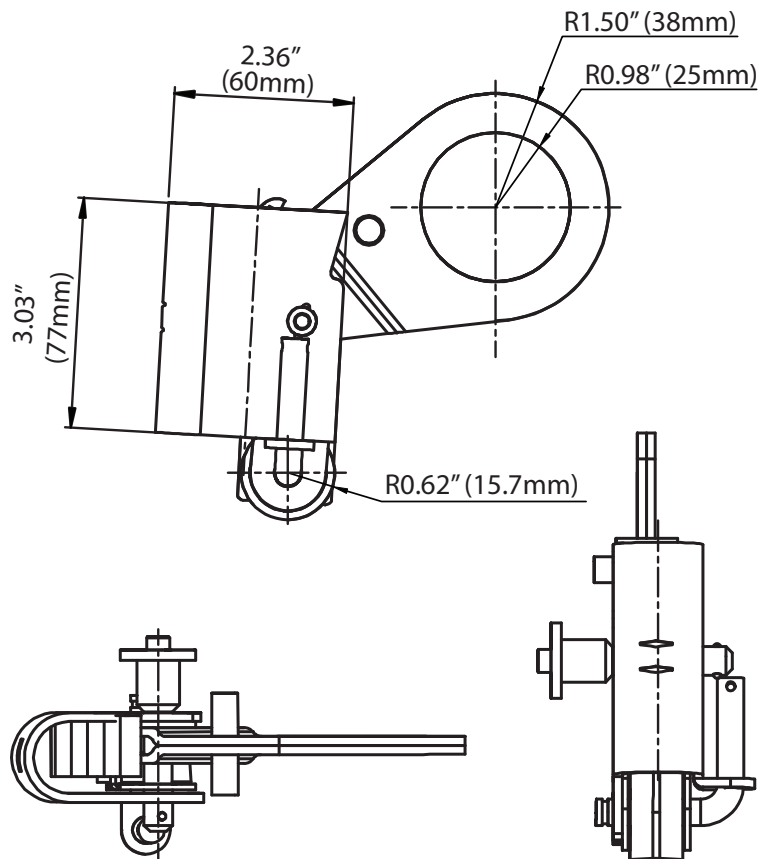
• Fall Protection • Competent Training • Netting • PPE

Phone: (504) 733-1808  
Fax: (504) 733-2996  
PalmerSafetyUS.com

## TECHNICAL SPECIFICATIONS

### Rope Grab for 5/8" and 3/4" Diameter Rope.

5/8" and 3/4" Rope Grab with roller guide. Min breaking strength 5,000 lbs. Meets ANSI Z359.15-2014.



**CONNECTIONS:** Maximum 1 connection per rope grab

- DESIGN:**
- For use with 5/8" or 3/4" diameter 3-strand synthetic rope lifeline with minimum tensile strength of 5,800 pounds. Polyester rope is recommended.
  - 5/8" or 3/4" diameter Kernmantle ropes can be used if deemed compatible by a Qualified Person
  - Moves along with the user climbing up or down and hooks them in case of a fall.
  - Max Free Fall is 6 ft.

**MATERIAL:** Stainless Steel

**MINIMUM BREAKING STRENGTH:** 5,000 lbs.

**WORKER WEIGHT RANGE:** 130 - 310 lbs. including all tools and equipment

**CONFORM TO NORM:** Meets or Exceeds ANSI Z359.15-2014 / OSHA A10-14