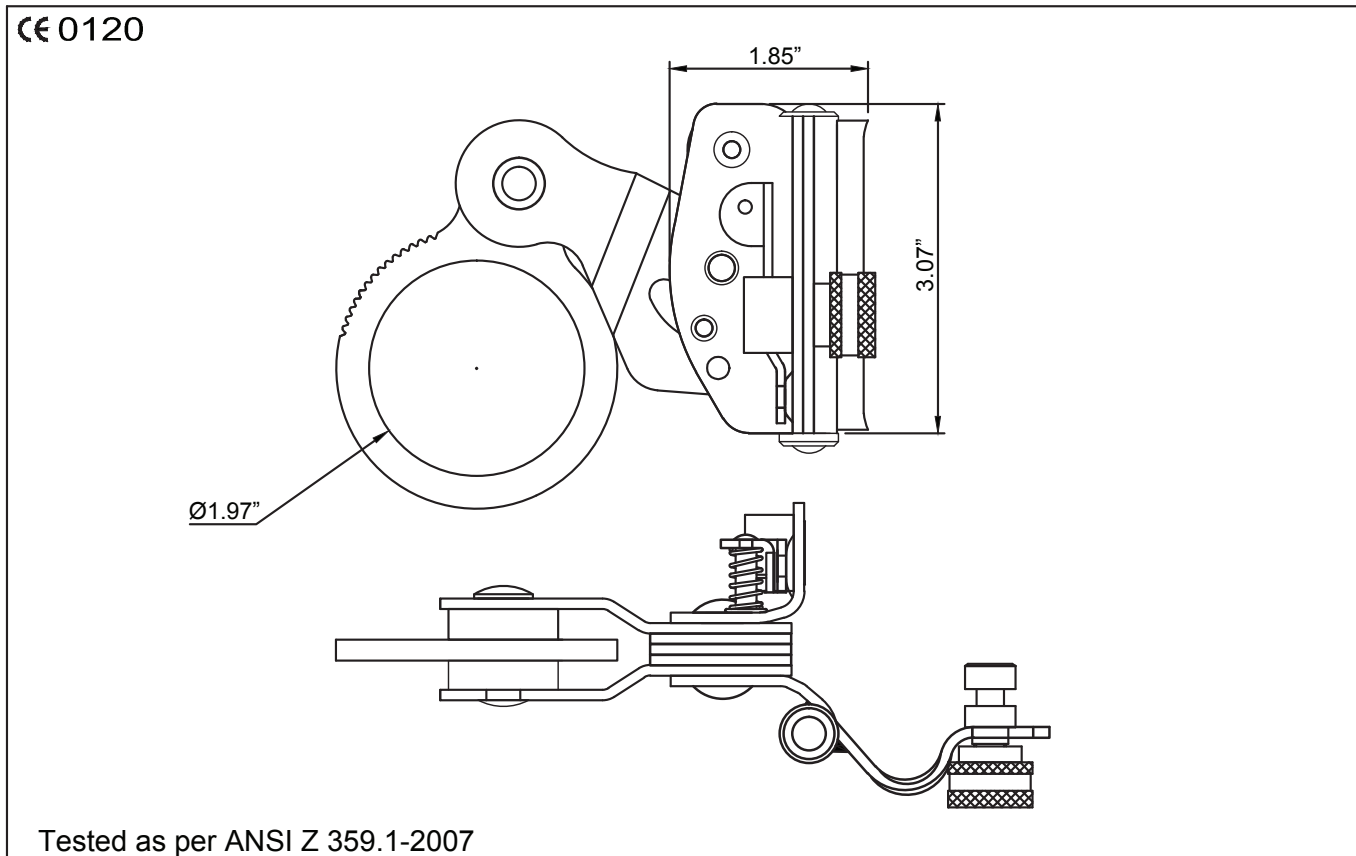


PN: C0850

TECHNICAL SPECIFICATIONS

Rope Grab 5/8" diameter.

5/8" Large Bail Yellow Chromate Finish Rope Grab. Meets or exceeds ANSI Z359.1-2007.



- Moving Rope Grab RG 08(50) on flexible anchorage line.
 - Trailing Rope Grab moves along with the user climbing up or down and locks in case of a fall.
- DESIGN:**
- Capable of using on 0.47 in. diameter Kernmantle Rope.
 - Capable of using on 0.55 in. diameter & 0.63 in. diameter twisted rope.
 - Galvanized sheet openable rope grab with a unique anti-panic feature and a connecting eye of 1.97 in. diameter.

MATERIAL: High strength alloy steel

FINISH: Yellow chromate

MINIMUM BREAKING STRENGTH: 15 kN

WEIGHT: 1.21 lbs. ± 0.02 lbs.