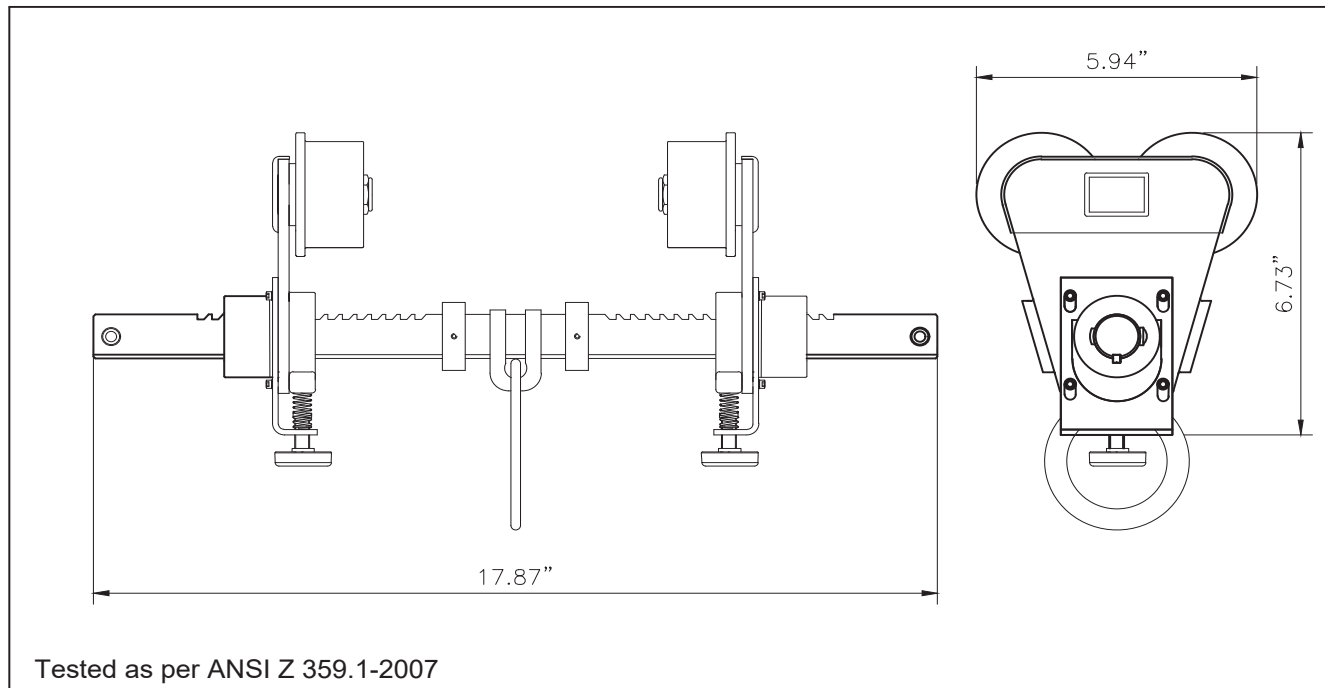


PN: A00008

TECHNICAL SPECIFICATIONS

BEAM ANCHOR TROLLEY

Beam Anchor Trolley. Min breaking strength 5000 lbs. Meets or exceeds ANSI Z359.1-2007.



- DESIGN:**
- Anchor connector installed on flange of beams.
 - Adjustment of the jaw to variable positions enables it to be installed to varying flange widths.
 - Glides smoothly along the beam and provide horizontal mobility.

**COMPATIBLE WITH
MIN
FLANGE WIDTH:** 3.14".

**COMPATIBLE WITH
MAX
FLANGE WIDTH:** 9.84".

MATERIAL: Aluminum Alloy & Stainless steel

**MINIMUM
BREAKING
STRENGTH:** 5000 lbs

**CONFORM TO THE
NORM:** Meets or exceeds ANSI Z359.1-2007

WEIGHT: 8.59 lbs ± 0.11 lbs